

User's Manual for ELPLL02 Long-Focal Length Zoom Lens

- This long-focal length zoom lens is designed for use only with EPSON multimedia projectors.
- It makes it possible to increase the distance between the projector and the screen.
- Please read this manual completely before use to assure maximum performance.
- Note that illustrations may differ slightly from your actual product.
- Specifications are subject to change without notice.

Safety Precautions

To assure that this product is used safely, and to help prevent damage or injury, the following symbols are used in the manual. Please read this manual thoroughly before use to ensure safety and optimum performance.

Warning

Ignoring this warning, or implementing the content incorrectly, could result in injury or even death.

Memo

Important information, such as additional explanations, key points to remember, and things to avoid doing.

1. Before mounting the zoom lens

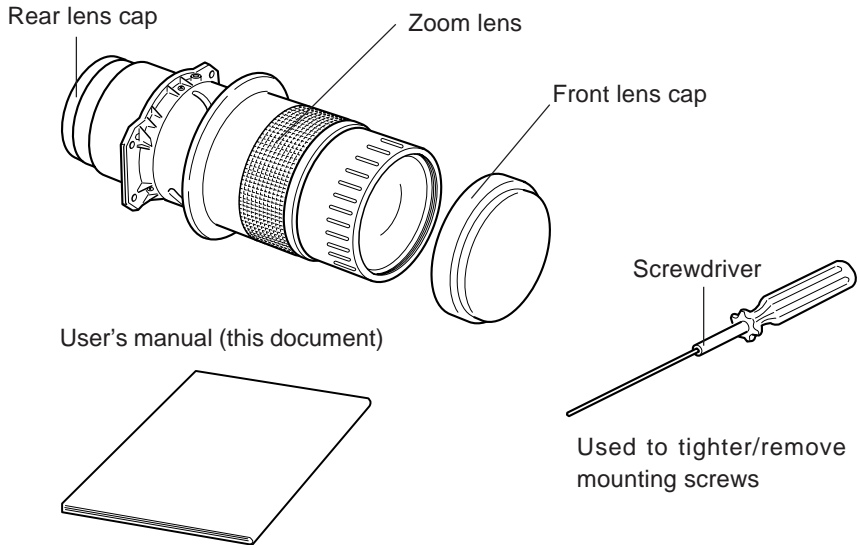
1-1 Safety precautions

Warning

Be sure to screw the Long-Focal Length lens and adapter ring down completely. Unless they are securely screwed on, they could fall off and cause damage or injury (especially when the projector is ceiling-mounted).

1-2 Check product contents

- Make sure that you have all the parts, as shown below, before starting.



- In addition to the included screwdriver, you will also need a Phillips screwdriver, and various other common tools.

Memo

Be sure to use a Phillips screwdriver that fits the screws properly.

2. Mounting the zoom lens

Warning

Be sure to disconnect the power cable before installation, because there is danger of electrical shock.

Memo

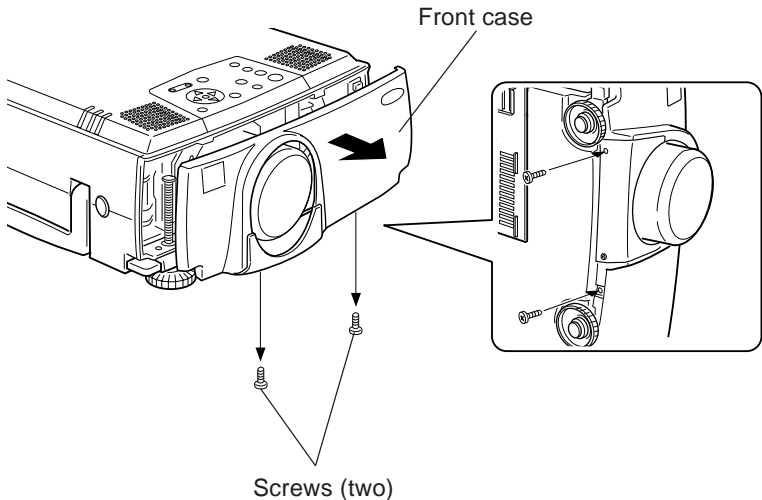
Always mount and dismount the lens in a clean room, to minimize the amount of dust. Excessive dust inside the lens could cause damage.

- Note that the illustrations below may not match your particular projector model.

2-1 Removing the current lens

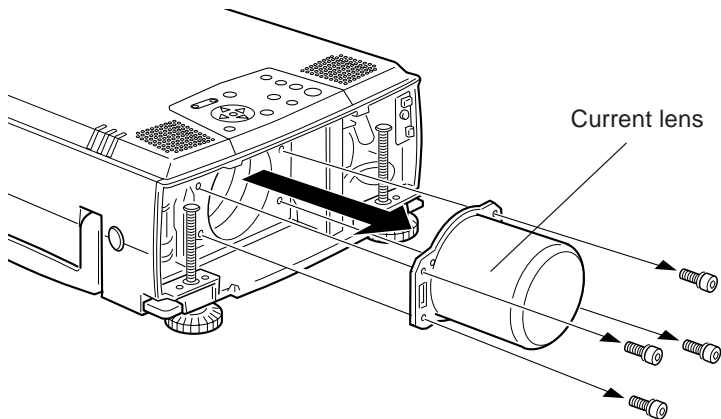
(1) Remove the front case.

1. Remove the two mounting screws, and pull off the front case.



(2) Remove the current lens.

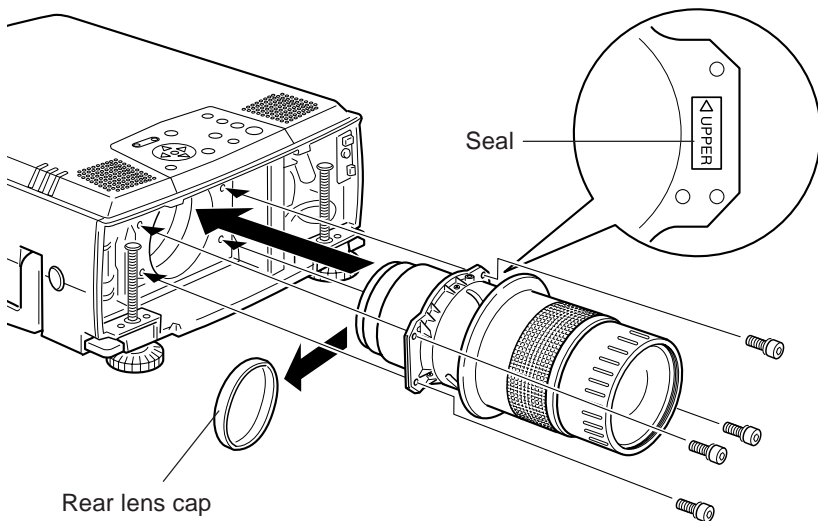
1. Use the enclosed screwdriver to remove the four mounting screws, and dismount the current lens.



2-2 Mounting the zoom lens

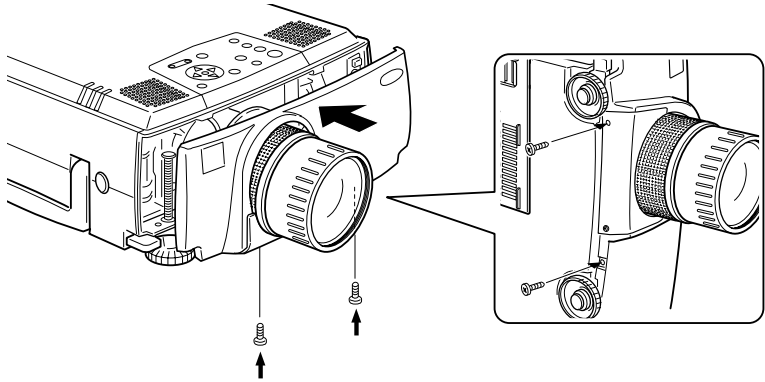
(1) Mounting the zoom lens

1. Remove the rear lens cap.
2. Use the enclosed screwdriver to mount the zoom lens with the four mounting screws. Be sure that the seal reading “UPPER” is on top.



(2) Mounting the front case

1. Set the front case into position and tighten the two screws.



This completes installation.

- Turn on the power and verify that the projector operates normally.

Memo

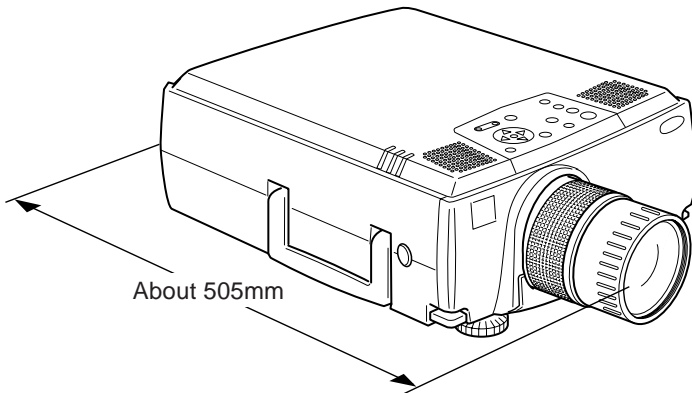
Be sure to remove the front lens cap before turning on the power, or it may melt from the heat.

4. Zoom lens specifications

4-1 Lens specifications

- | | |
|--------------------|------------------|
| 1. Focal length | 68.3 to 116.2 mm |
| 2. Zoom ratio | 1.7 x |
| 3. f number | 2.14 to 2.98 |
| 4. Projection size | 60 to 300 inches |
| 5. Mass | 2100 g |

4-2 Appearance with zoom lens mounted



User's Manual for Long Throw Zoom Lens ELPLL03

- This long throw zoom lens is designed for use only with EPSON multi-media projectors.
- It makes it possible to increase the distance between the projector and the screen.
- Please read this manual completely before use to assure maximum performance.
- Note that illustrations may differ slightly from your actual product.
- Specifications are subject to change without notice.

Safety Precautions

To assure that this product is used safely, and to help prevent damage or injury, the following symbols are used in the manual. Please read this manual thoroughly before use to ensure safety and optimum performance.

Warning

Ignoring this warning, or implementing the content incorrectly, could result in injury or even death.

Memo

Important information, such as additional explanations, key points to remember, and things to avoid doing.

1. Before mounting the zoom lens

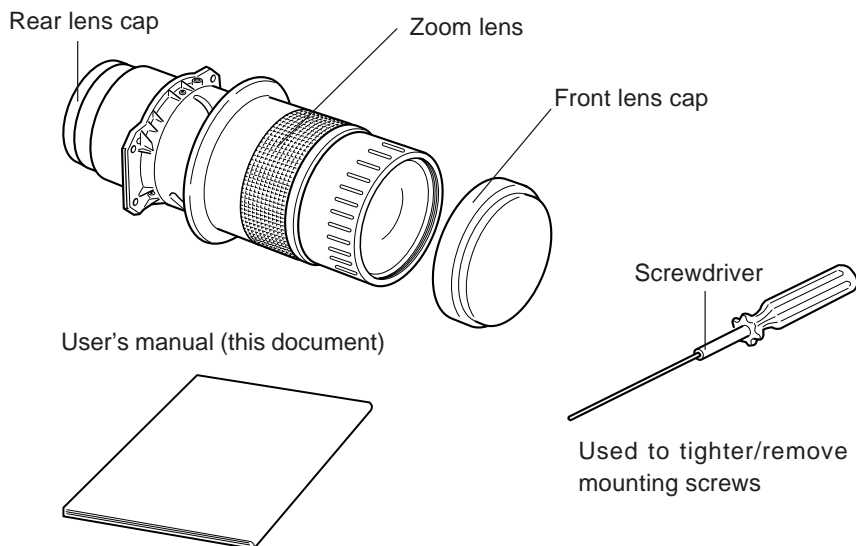
1-1 Safety precautions

Warning

Be sure to screw the Long throw zoom lens and adapter ring down completely. Unless they are securely screwed on, they could fall off and cause damage or injury (especially when the projector is ceiling-mounted).

1-2 Check product contents

- Make sure that you have all the parts, as shown below, before starting.



- In addition to the included screwdriver, you will also need a Phillips screwdriver, and various other common tools.

Memo

Be sure to use a Phillips screwdriver that fits the screws properly.

2. Mounting the zoom lens

Warning

Be sure to disconnect the power cable before installation, because there is danger of electrical shock.

Memo

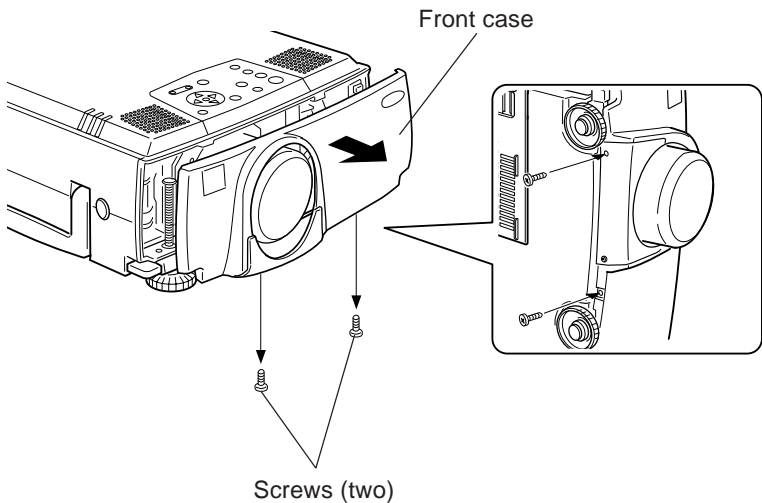
Always mount and dismount the lens in a clean room, to minimize the amount of dust. Excessive dust inside the lens could cause damage.

- Note that the illustrations below may not match your particular projector model.

2-1 Remove the current lens

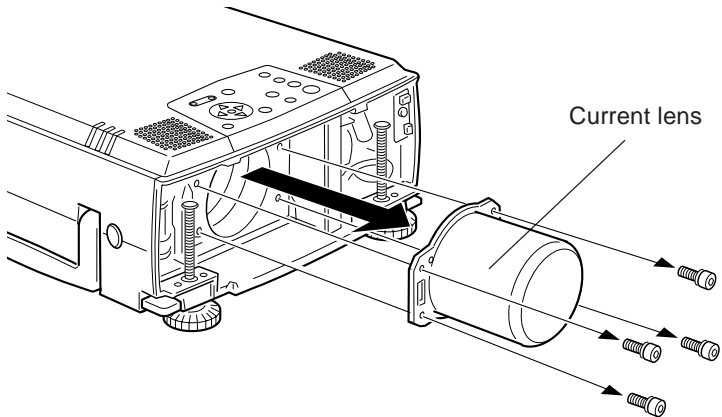
(1) Remove the front case.

1. Remove the two mounting screws, and pull off the front case.



(2) Remove the current lens.

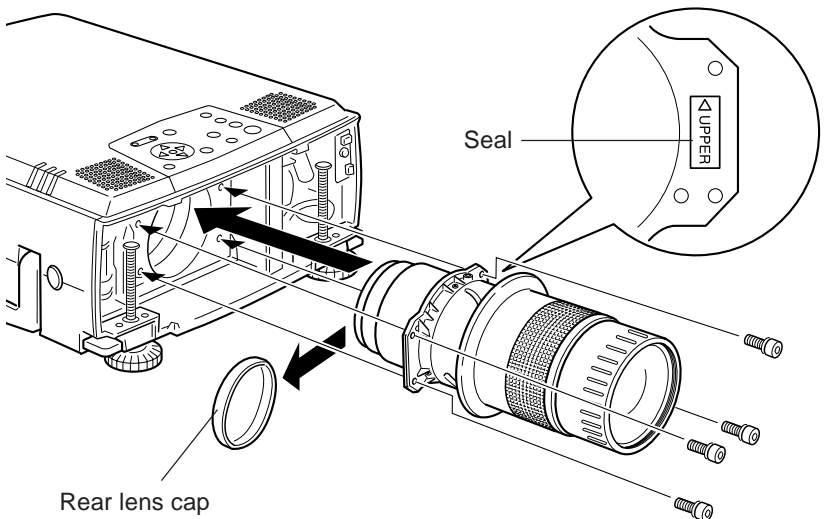
1. Use the enclosed screwdriver to remove the four mounting screws, and dismount the current lens.



2-2 Mounting the zoom lens

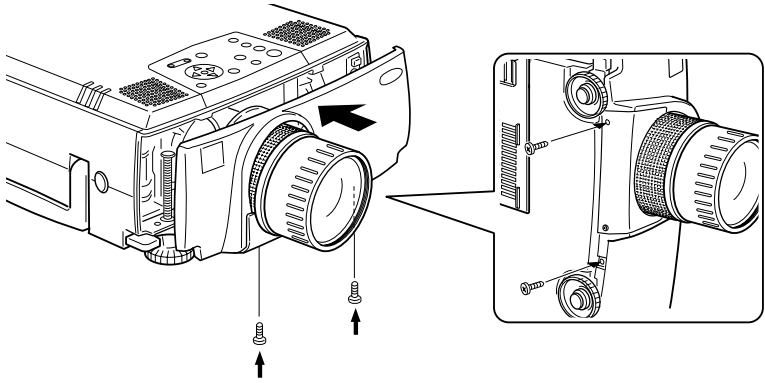
(1) Mounting the zoom lens

1. Remove the rear lens cap.
2. Use the enclosed screwdriver to mount the zoom lens with the four mounting screws. Be sure that the seal reading “UPPER” is on top.



(2) Mounting the front case

1. Set the front case into position and tighten the two screws.



This completes installation.

- Turn on the power and verify that the projector operates normally.

Memo

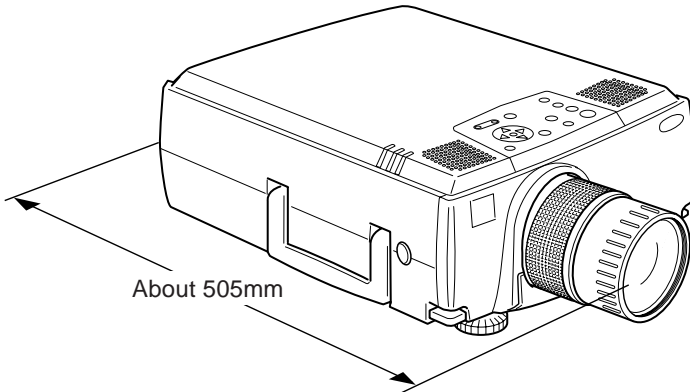
Be sure to remove the front lens cap before turning on the power, or it may melt from the heat.

4. Zoom lens specifications

4-1 Lens specifications

- | | |
|--------------------|------------------|
| 1. Focal length | 144.1 to 194.5mm |
| 2. Zoom ratio | 1.35 x |
| 3. f number | 2.60 to 3.27 |
| 4. Projection size | 80 to 300 inches |
| 5. Mass | 2100 g |

4-2 Appearance with zoom lens mounted



User's Manual for ELPLR01 Rear Projector wide Lens

- This wide-angle lens is designed for use only on EPSON multimedia projectors.
- This lens is designed for use only on rear projection and rear projection box systems.
- Please read this manual completely before use to assure maximum performance.
- Note that illustrations may differ slightly from your actual product.
- Specifications are subject to change without notice.

Safety Precautions

To assure that this product is used safely, and to help prevent damage or injury, the following symbols are used in the manual. Please read this manual thoroughly before use to ensure safety and optimum performance.

Warning

Ignoring this warning, or implementing the content incorrectly, could result in injury or even death.

Memo

Important information, such as additional explanations, key points to remember, and things to avoid doing.

1. Before mounting the wide-angle lens

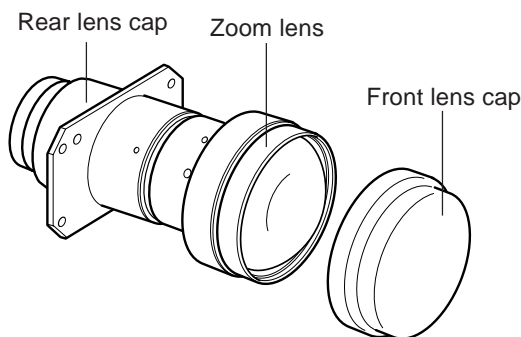
1-1 Safety precautions

Warning

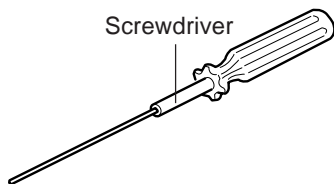
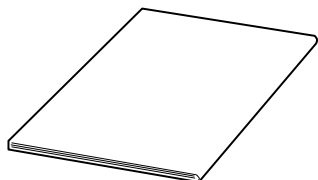
Be sure to screw the Rear Projector wide lens and adapter ring down completely. Unless they are securely screwed on, they could fall off and cause damage or injury (especially when the projector is ceiling-mounted).

1-2 Check product contents

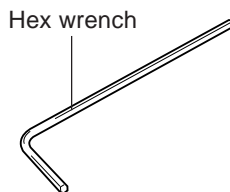
- Make sure that you have all the parts, as shown below, before starting.



User's manual (this document)



Used to tighten/remove mounting screws



Used to loosen and tighten the ring mounting screws.

- In addition to the included screwdriver, you will also need a Phillips screwdriver, and various other common tools.

Memo

Be sure to use a Phillips screwdriver that fits the screws properly.

2. Mounting the rear-projection wide-angle lens

Warning

Be sure to disconnect the power cable before installation, because there is danger of electrical shock.

Memo

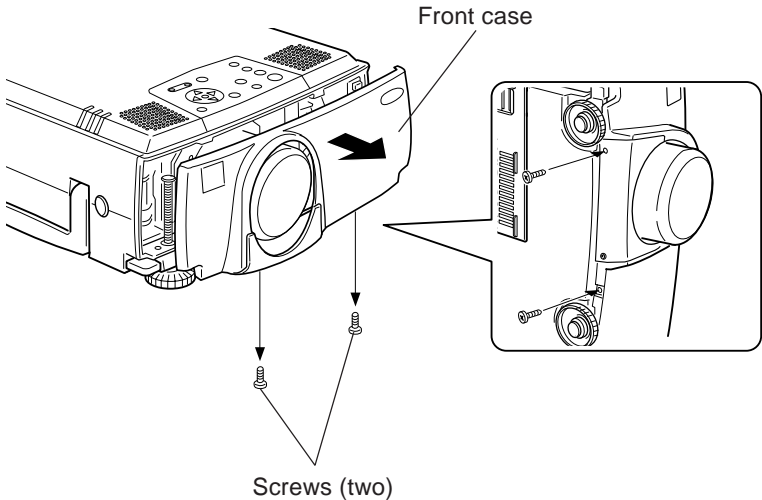
Always mount and dismount the lens in a clean room, to minimize the amount of dust. Excessive dust inside the lens could cause damage.

- Note that the illustrations below may not match your particular projector model.

2-1 Removing the current lens

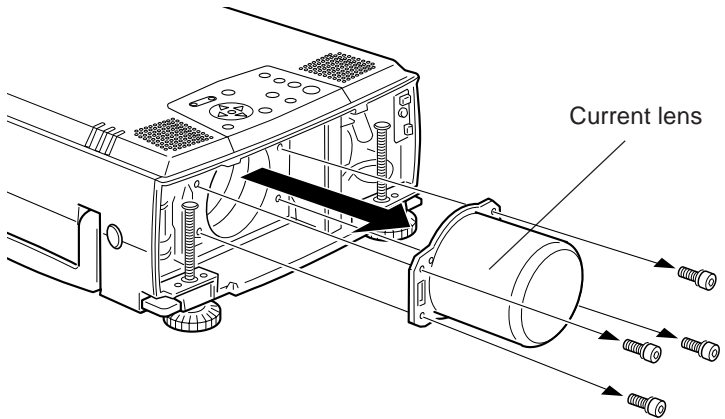
(1) Remove the front case.

1. Remove the two mounting screws, and pull off the front case.



(2) Remove the current lens.

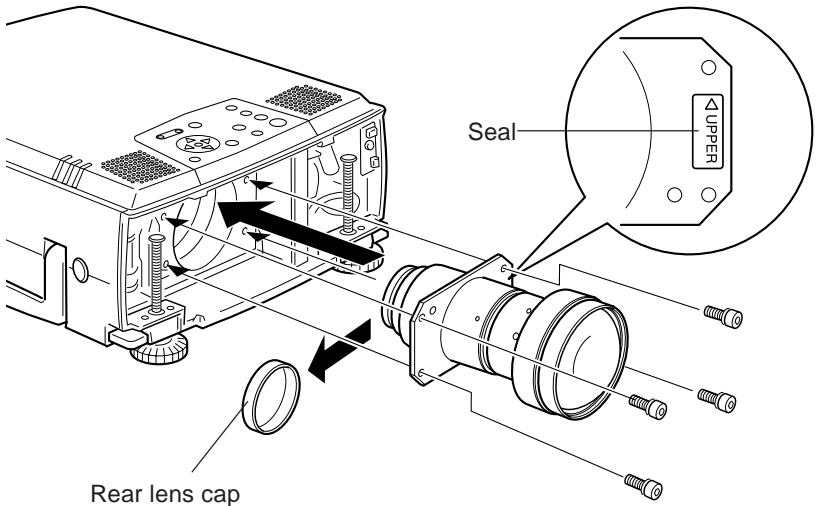
1. Use the enclosed screwdriver to remove the four mounting screws, and dismount the current lens.



2-2 Mounting the rear-projection wide-angle lens

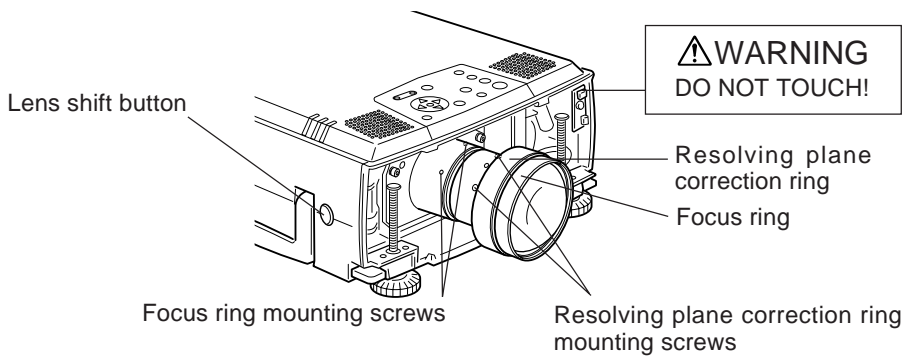
(1) Mounting the rear-projection wide-angle lens

1. Remove the rear lens cap.
2. Use the enclosed screwdriver to mount the rear projector wide lens with the four mounting screws. Be sure that the seal reading “UPPER” is on top.



(2) Adjusting the wide lens for a rear projector

- This lens must be adjusted to match the screen size. Adjust the lens as follows, before installing the front case.
 1. Turn the lens shift button to move the lens all the way down.
 2. Loosen the 2 focus ring mounting screws by using the hex wrench that came in the same package.
 3. Loosen the 2 resolving plane correction ring mounting screws with the hex wrench.
 4. Turn on the projector power.
 5. Rotate the two rings to adjust the image to the optimum appearance. The resolving plane correction ring should provide a sharp image across the entire screen area.
 6. Use the hex wrench to retighten the four ring mounting screws.
 7. Turn off the power, and disconnect the power cable.



⚠ Warning

Turn the power only when adjusting the lens. Always disconnect the power cable at other times.

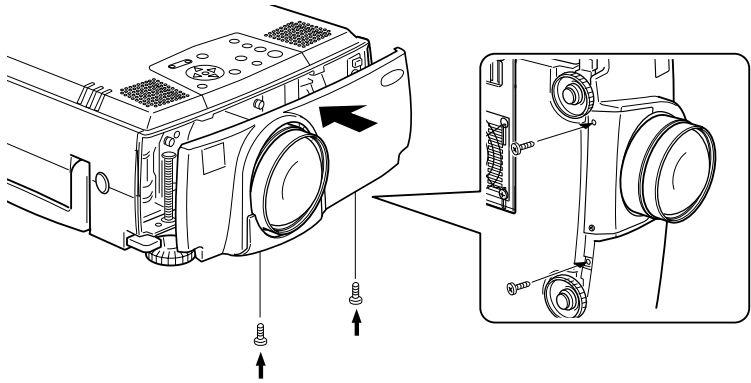
When adjusting the lens, take care not to touch any other parts of the projector or lens, as there is a danger of electric shock with the front case open.

Memo

Be sure to remove the front lens cap before turning on the power, or it may melt from the heat.

(3) Mounting the front case

1. Set the front case into position and tighten the two screws.



This completes installation.

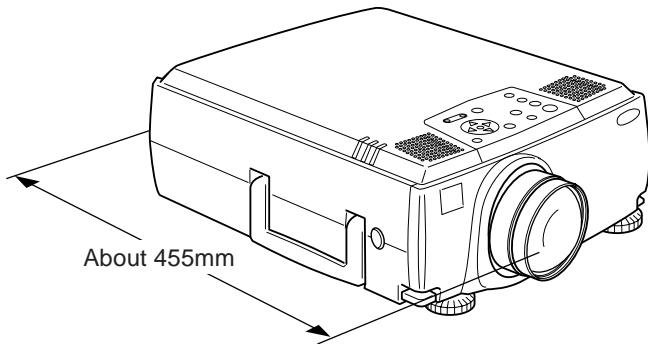
- Turn on the power and verify that the projector operates normally.

4. Rear-projection wide-angle lens specifications

4-1 Lens specifications

- | | |
|--------------------|------------------|
| 1. Focal length | 27mm |
| 2. f number | 2.3 |
| 3. Projection size | 60 to 100 inches |
| 4. Mass | 1600 g |

4-2 Appearance with rear projector wide lens mounted



User's Manual for ELPLS01 Standard Lens

- This standard lens is designed for use only with EPSON multimedia projectors.
- Please read this manual completely before use to assure maximum performance.
- Note that illustrations may differ slightly from your actual product.
- Specifications are subject to change without notice.

Safety Precautions

To assure that this product is used safely, and to help prevent damage or injury, the following symbols are used in the manual. Please read this manual thoroughly before use to ensure safety and optimum performance.

Warning

Ignoring this warning, or implementing the content incorrectly, could result in injury or even death.

Memo

Important information, such as additional explanations, key points to remember, and things to avoid doing.

1. Before mounting the standard lens

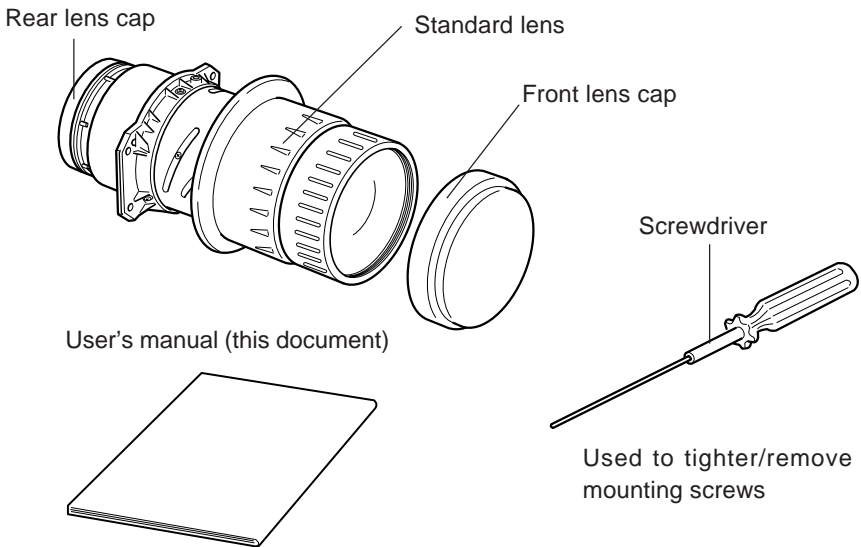
1-1 Safety precautions

Warning

Be sure to screw the Long-Focal Length lens and adapter ring down completely. Unless they are securely screwed on, they could fall off and cause damage or injury (especially when the projector is ceiling-mounted).

1-2 Check product contents

- Make sure that you have all the parts, as shown below, before starting.



- In addition to the included screwdriver, you will also need a Phillips screwdriver, and various other common tools.

Memo

Be sure to use a Phillips screwdriver that fits the screws properly.

2. Mounting the standard lens

Warning

Be sure to disconnect the power cable before installation, because there is danger of electrical shock.

Memo

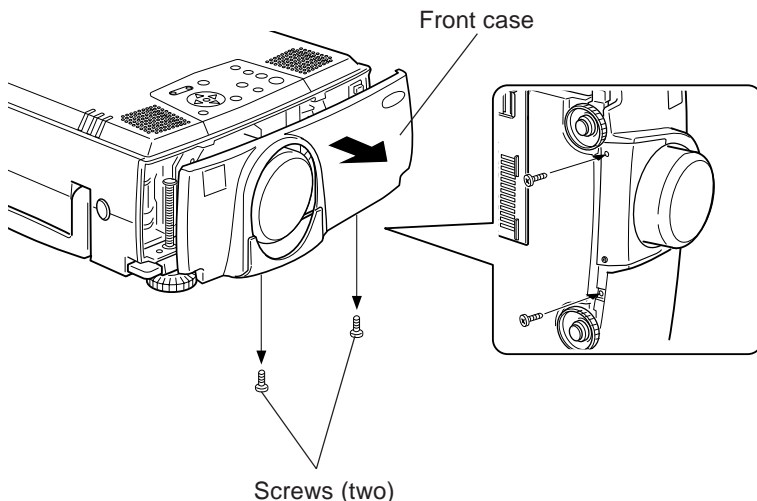
Always mount and dismount the lens in a clean room, to minimize the amount of dust. Excessive dust inside the lens could cause damage.

- Note that the illustrations below may not match your particular projector model.

2-1 Removing the current lens

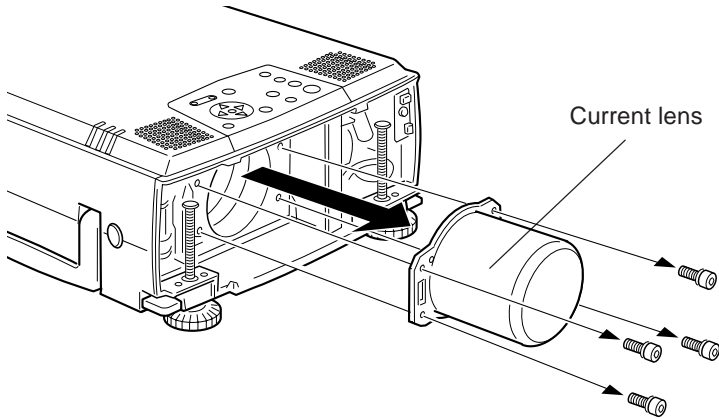
(1) Remove the front case.

1. Remove the two mounting screws, and pull off the front case.



(2) Remove the current lens.

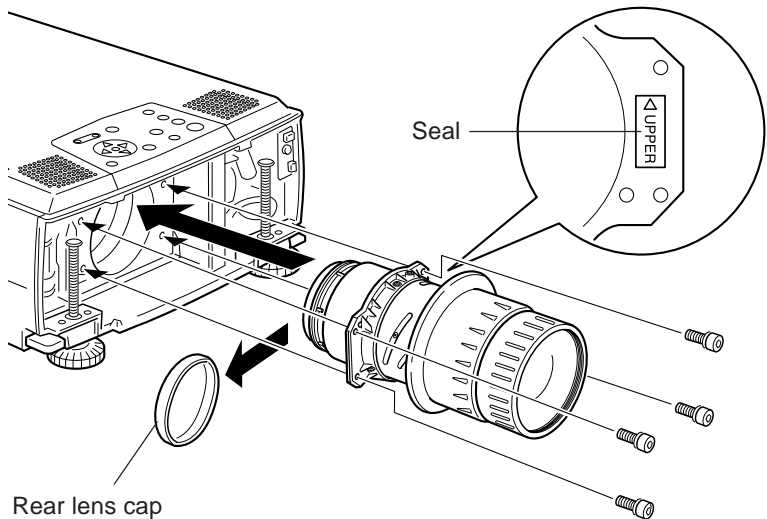
1. Use the enclosed screwdriver to remove the four mounting screws, and dismount the current lens.



2-2 Mounting the standard lens

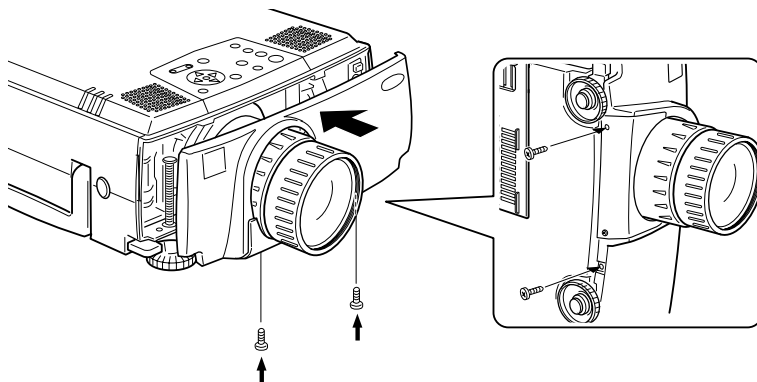
(1) Mounting the standard lens

1. Remove the rear lens cap.
2. Use the enclosed screwdriver to mount the standard lens with the four mounting screws. Be sure that the seal reading “UPPER” is on top.



(2) Mounting the front case

1. Set the front case into position and tighten the two screws.



This completes installation.

- Turn on the power and verify that the projector operates normally.

Memo

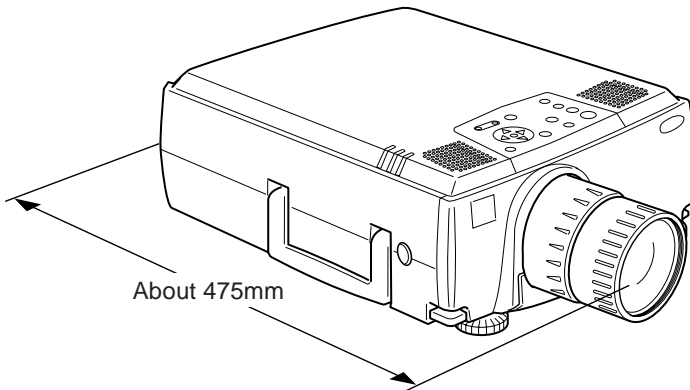
Be sure to remove the front lens cap before turning on the power, or it may melt from the heat.

4. Standard lens specifications

4-1 Lens specifications

- | | |
|--------------------|------------------|
| 1. Focal length | 49.2 to 68.9 mm |
| 2. Zoom ratio | 1.4 x |
| 3. f number | 1.84 to 2.36 |
| 4. Projection size | 30 to 300 inches |
| 5. Mass | 1300 g |

4-2 Appearance with standard lens mounted



User's Manual for the ELPLW01 Wide Zoom Lens

- This wide zoom lens is designed for use only with EPSON multimedia projectors.
- It makes it possible to decrease the distance between the projector and the screen.
- Please read this manual completely before use to assure maximum performance.
- Note that illustrations may differ slightly from your actual product.
- Specifications are subject to change without notice.

Safety Precautions

To assure that this product is used safely, and to help prevent damage or injury, the following symbols are used in the manual. Please read this manual thoroughly before use to ensure safety and optimum performance.

Warning

Ignoring this warning, or implementing the content incorrectly, could result in injury or even death.

Memo

Important information, such as additional explanations, key points to remember, and things to avoid doing.

1. Before mounting the zoom lens

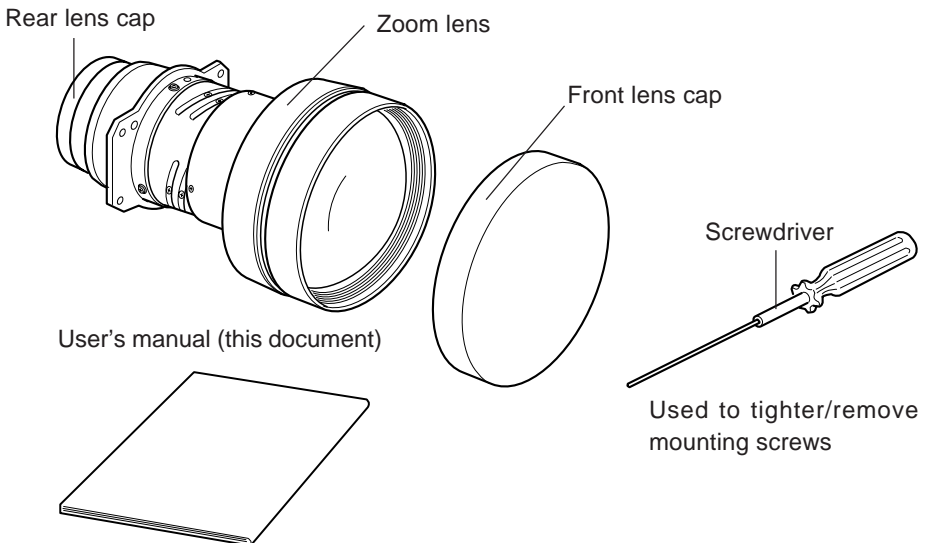
1-1 Safety precautions

Warning

Be sure to screw the Long-Focal Length lens and adapter ring down completely. Unless they are securely screwed on, they could fall off and cause damage or injury (especially when the projector is ceiling-mounted).

1-2 Check product contents

- Make sure that you have all the parts, as shown below, before starting.



- In addition to the included screwdriver, you will also need a Phillips screwdriver, and various other common tools.

Memo

Be sure to use a Phillips screwdriver that fits the screws properly.

2. Mounting the zoom lens

Warning

Be sure to disconnect the power cable before installation, because there is danger of electrical shock.

Memo

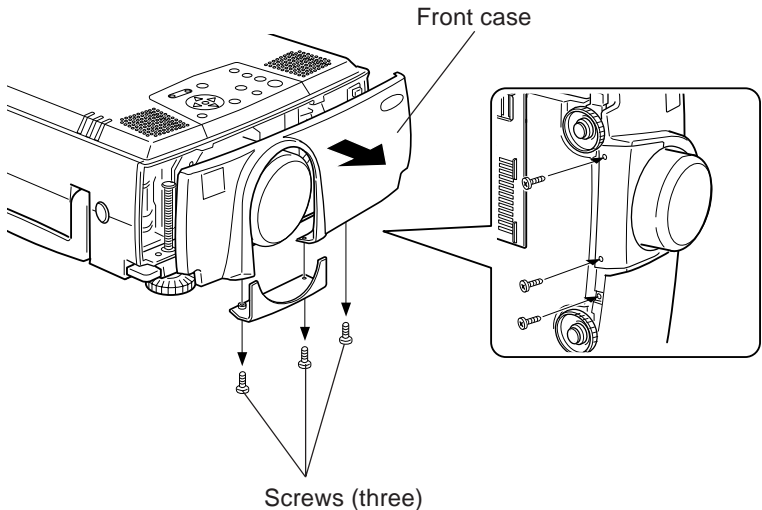
Always mount and dismount the lens in a clean room, to minimize the amount of dust. Excessive dust inside the lens could cause damage.

- Note that the illustrations below may not match your particular projector model.

2-1 Removing the current lens

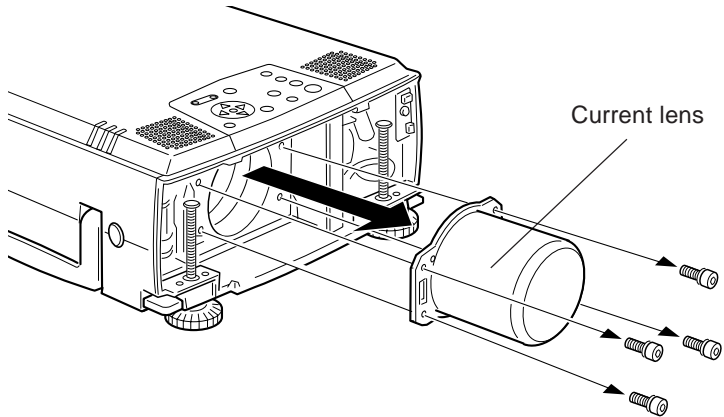
(1) Remove the front case.

1. Remove the three mounting screws, and pull off the front case. The two components will separate from each other.



(2) Remove the current lens.

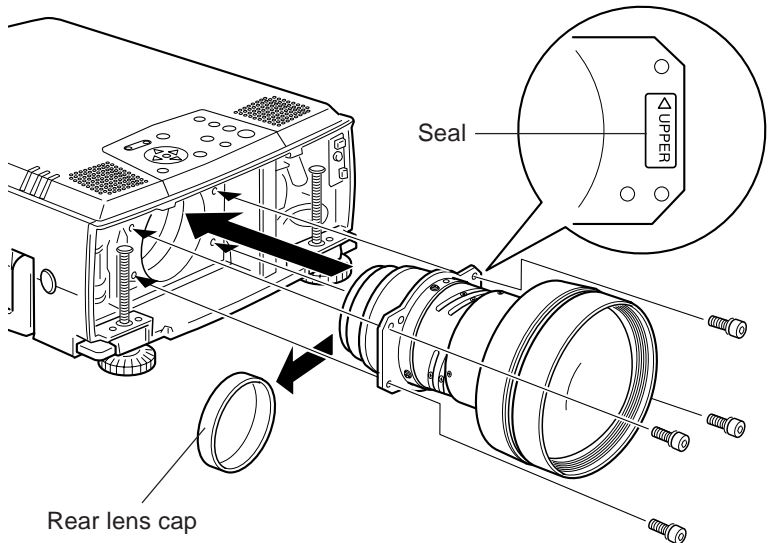
1. Use the enclosed screwdriver to remove the four mounting screws, and dismount the current lens.



2-2 Mounting the zoom lens

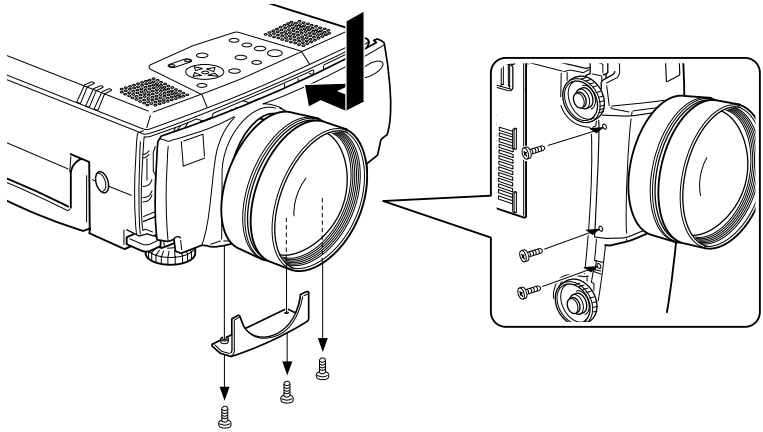
(1) Mounting the zoom lens

1. Remove the rear lens cap.
2. Use the enclosed screwdriver to mount the zoom lens with the four mounting screws. Be sure that the seal reading "UPPER" is on top.



(2) Mounting the front case

1. Set the front case into position and tighten the three screws.



This completes installation.

- Turn on the power and verify that the projector operates normally.

Memo

- Be sure to remove the front lens cap before turning on the power, or it may melt from the heat.
- When handling the zoom lens, take care not to catch your finger between the lens and the tabletop.

4. Zoom lens specifications

4-1 Lens specifications

1. Focal length	37.9 to 45.5 mm
2. Zoom ratio	1.2 x
3. f number	2.34 to 2.65
4. Projection size	60 to 200 inches
5. Mass	2600 g

4-2 Appearance with zoom lens mounted

